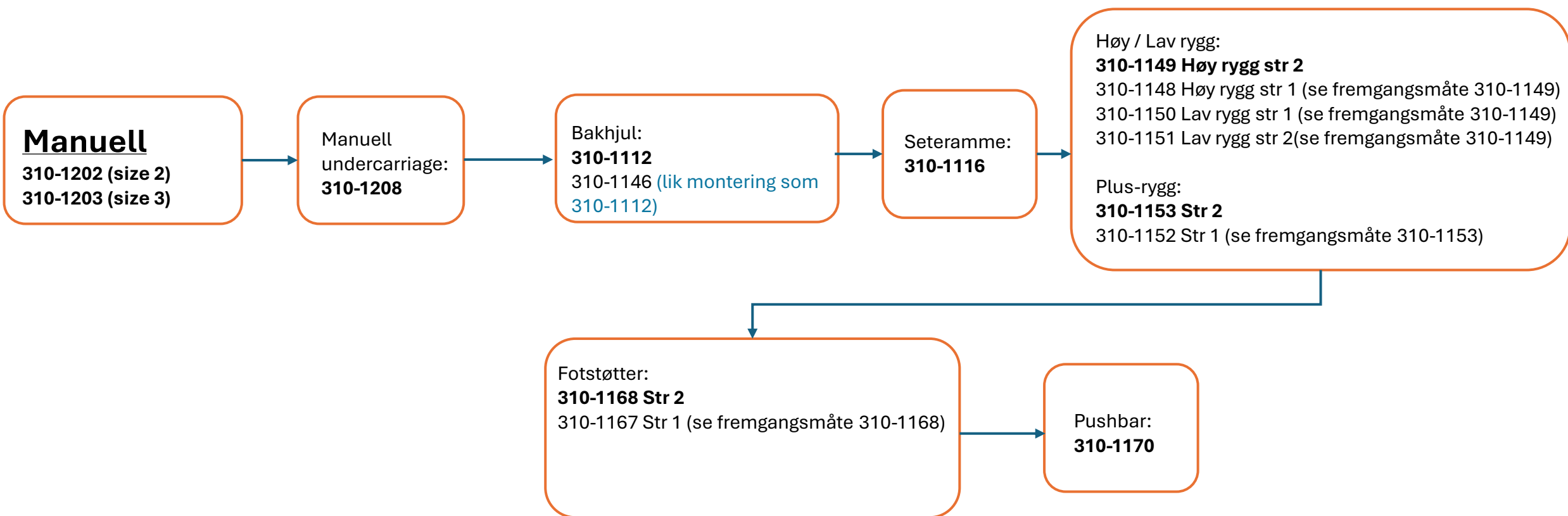


JOCKEY PRO **MANUELL**

MONTERINGSANVISNING



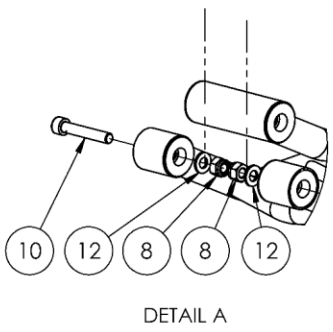
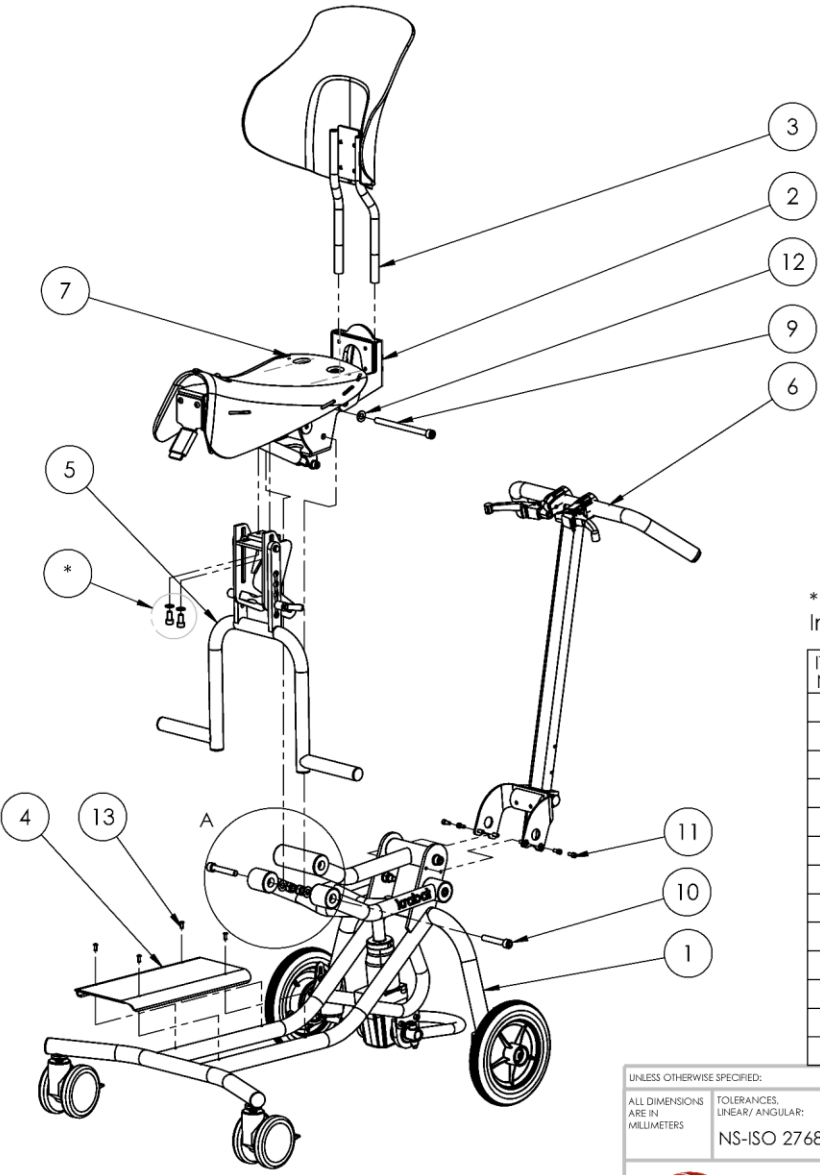
*Følg monteringsanvisning for de med nummer merket i **fet** skrift

| REV. | DESCRIPTION | DATE | APPROVED |
|------|-------------|------------|----------|
| 00 | Established | 29.09.2023 | |

STØRRELSE 2



MANUELL

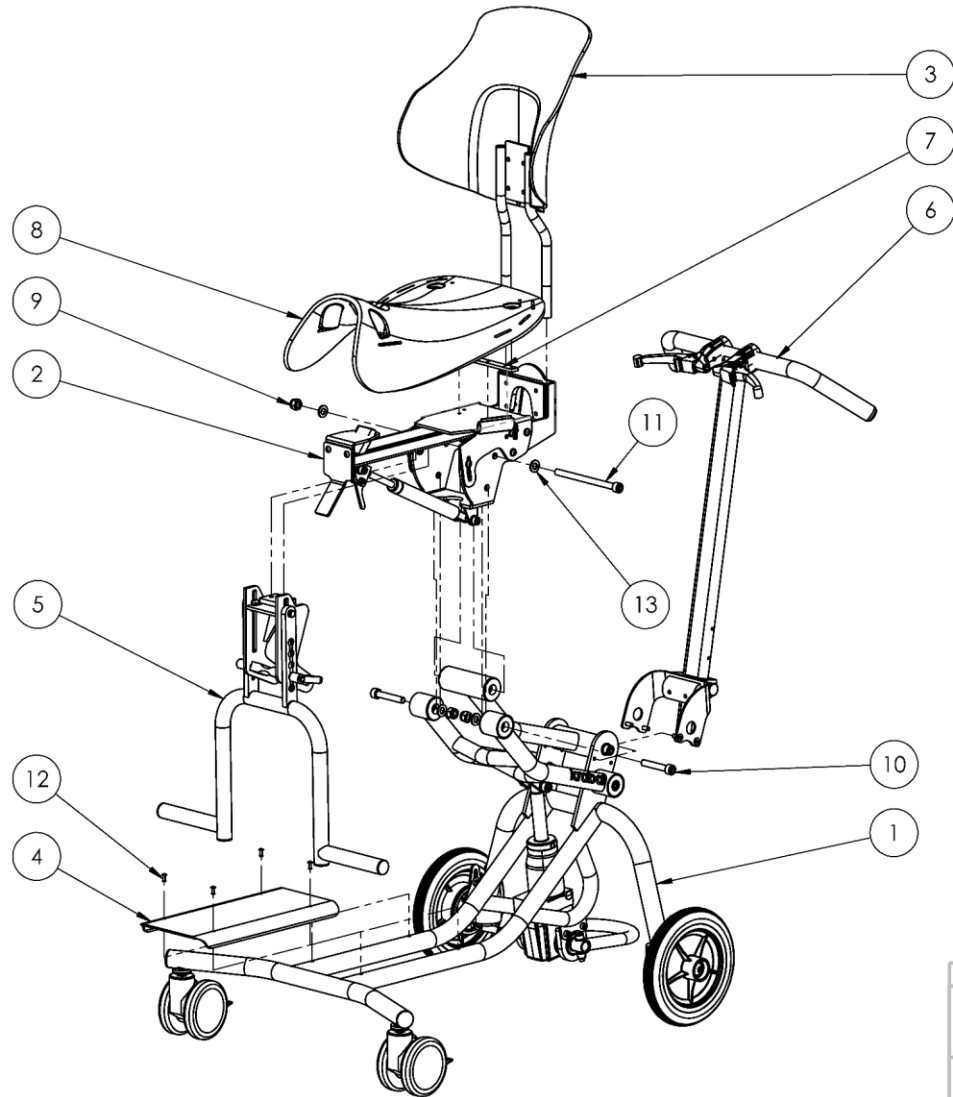


*:
Included in assy 310-1168

| ITEM NO. | PART NUMBER | Title | QTY. |
|----------|---------------------------|--|------|
| 1 | 310-1208 | Krabat Jockey Pro, undercarriage, manual | 1 |
| 2 | 310-1116 | Pro Seat frame, long | 1 |
| 3 | 310-1149 | Pro Backrest, size 2 high | 1 |
| 4 | 310-0097 | Cover, frame | 1 |
| 5 | 310-1168 | Fot support sz 2 assy | 1 |
| 6 | 310-1170 | Jockey Pro, Push bar assy | 1 |
| 7 | 900-1478 | Seat, size 2 (Jockey Pro) | 1 |
| 8 | DIN EN ISO 7040 - M10 - N | | 3 |
| 9 | DIN 912 M10 x 140 --- 32N | | 1 |
| 10 | DIN 912 M10 x 60 --- 32N | | 2 |
| 11 | DIN 912 M5 x 12 --- 12N | | 4 |
| 12 | Washer DIN 125 - A 10.5 | | 4 |
| 13 | DIN 7337 - 4x10 St.St A2 | | 4 |

| | | | | | |
|--|-----------|--|-----------------------------|-------------------|---------------------------------|
| UNLESS OTHERWISE SPECIFIED: ALL DIMENSIONS ARE IN MILLIMETERS | | TOLERANCES LINEAR/ ANGULAR: NS-ISO 2768-1-m-K | DEBUR AND BREAK SHARP EDGES | PAPER SIZE: A3 | Krabat Jockey |
| | | | | MATERIAL: | |
| NAME | SIGNATURE | DATE | TREATMENT: | | DWG. NO. 310-1202 |
| DRAWN: CHK'D: APP'VD: | MJJH | 17.01.2023 | FINISH: | | REVISION 00 |
| | | | WEIGHT: | SHEET 1 OF 1 | SCALE:1:10 DO NOT SCALE DRAWING |

| REV. | DESCRIPTION | DATE | APPROVED |
|------|-------------|------------|----------|
| 00 | Established | 29.09.2023 | |



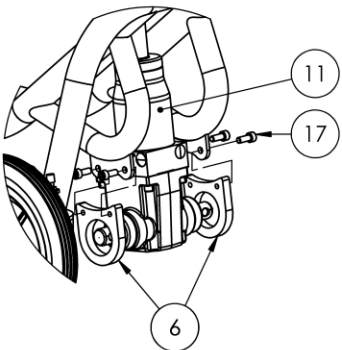
STØRRELSE 3



| ITEM NO. | PART NUMBER | Title | QTY. |
|----------|---------------------------|--|------|
| 1 | 310-1208 | Krabat Jockey Pro, undercarriage, manual | 1 |
| 2 | 310-1116 | Pro Seat frame, long | 1 |
| 3 | 310-1149 | Pro Backrest, size 2 high | 1 |
| 4 | 310-0097 | Cover, frame | 1 |
| 5 | 310-1168 | Fot support sz 2 assy | 1 |
| 6 | 310-1170 | Jockey Pro, Push bar assy | 1 |
| 7 | 300-2157 | Seat bracket rear, size 3 | 1 |
| 8 | 900-1479 | Seat size 3 | 1 |
| 9 | DIN EN ISO 7040 - M10 - N | | 3 |
| 10 | DIN 912 M10 x 60 --- 32N | | 2 |
| 11 | DIN 912 M10 x 140 --- 32N | | 1 |
| 12 | DIN 7337 - 4x10 St.St A2 | | 4 |
| 13 | Washer DIN 125 - A 10.5 | | 4 |

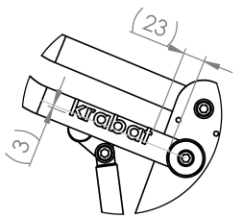
| | | | | | | | |
|-----------------------------------|--|-----------------------------|--|-----------------------------|--|--|--|
| UNLESS OTHERWISE SPECIFIED: | | | | PAPER SIZE: | | Krabat Jockey | |
| ALL DIMENSIONS ARE IN MILLIMETERS | | TOLERANCES LINEAR/ ANGULAR: | | A3 | | | |
| | | NS-ISO 2768-1-m-K | | DEBUR AND BREAK SHARP EDGES | | TITLE: Krabat Jockey Pro, size 3, manual | |
| | | | | MATERIAL: | | | |
| | | | | TREATMENT: | | DWG. NO. 310-1203 | |
| | | | | | | | |
| DRAWN: MLJ.H | | SIGNATURE: | | DATE: 17.01.2023 | | REVISION 00 | |
| CHK'D: | | | | FINISH: | | | |
| APP'VD: | | | | WEIGHT: | | SHEET 1 OF 1 SCALE:1:7 DO NOT SCALE DRAWING | |

MANUELL

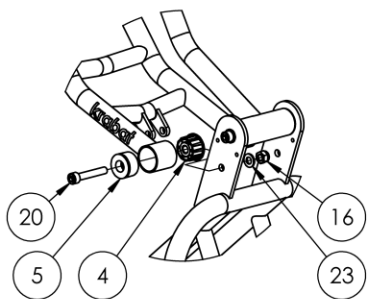


MOUNTING DETAIL

Attach both Pump brackets (Item 7) to the pump (Item 13) before securing with four bolts (Item 17) to the frame

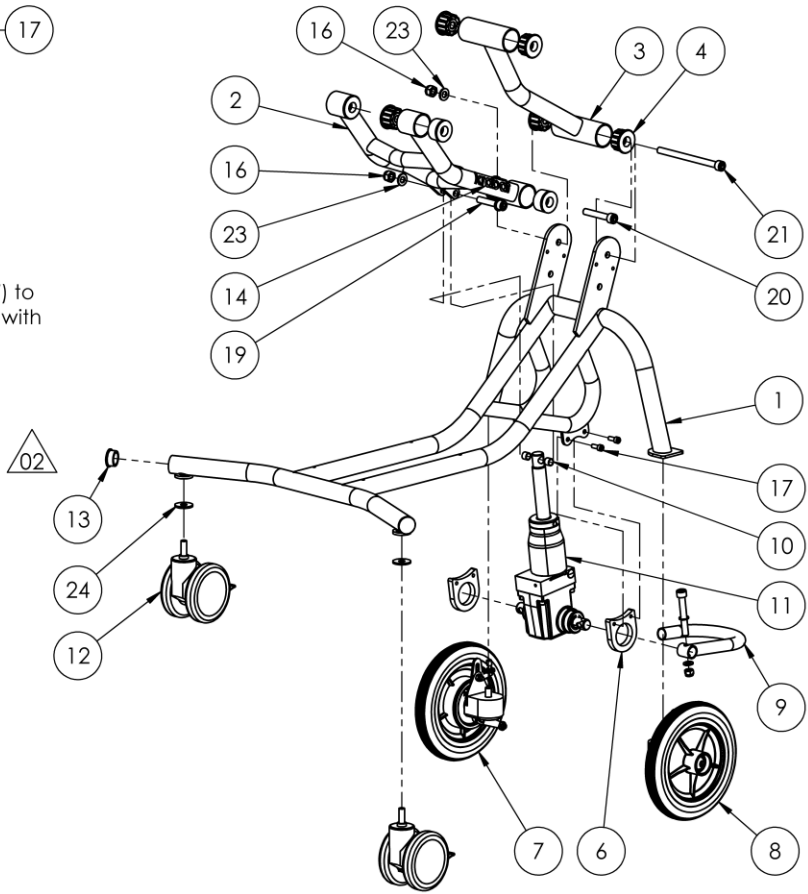


LOGO DETAIL Place logo as shown above



DETAIL

Use of the different Spacer Rotation sleeves (Item 5 and Item 6) in Lower Lift Frame (Item 3)



| REV. | DESCRIPTION | DATE | APPROVED |
|------|--|------------|----------|
| 00 | Established | 29.09.2023 | |
| 01 | Detail views added. Logo added to assy + detail | 17.11.2023 | |
| 02 | Item 1 revised, Items 2 and -12 removed, Detail text revised, Item order re-arranged. Item 13 added. | 28.11.2023 | |

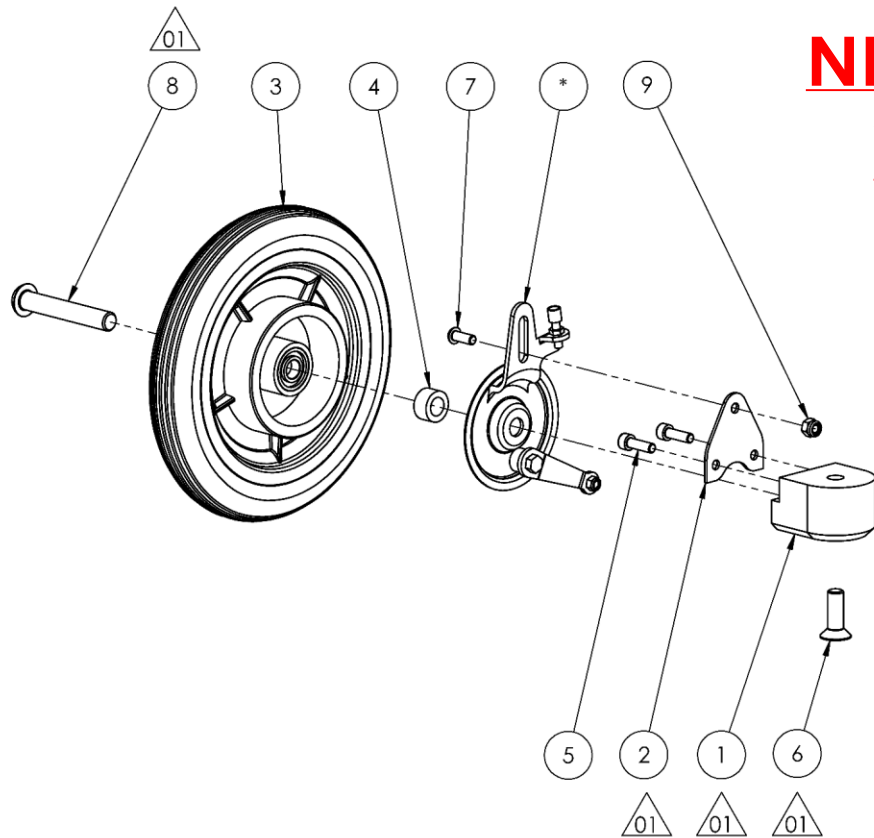


| ITEM NO. | PART NUMBER | Title | QTY. |
|----------|---------------------------|--|------|
| 1 | 310-1124 | Pro, main frame, MANUAL | 1 |
| 2 | 310-1114 | Lift frame, lower, assy | 1 |
| 3 | 310-1127 | Lift frame, upper, assy | 1 |
| 4 | 310-0031 | Spacer, rotation | 8 |
| 5 | 310-0133 | Spacer, rotation | 4 |
| 6 | 310-0057 | Pump bracket | 2 |
| 7 | 310-1112 | Pro, wheel assy, right | 1 |
| 8 | 310-1146 | Pro, wheel assy, left | 1 |
| 9 | 310-1147 | Pedal Manual | 1 |
| 10 | 900-1486 | Sleeve - 10-12-9 | 2 |
| 11 | 900-1517 | Pro, manual pump, PP MK5 | 1 |
| 12 | 900-1496 | 5947-UAO-100-S70-M10x17-black | 2 |
| 13 | 900-1021 | Torp code: 208-GL 30S | 2 |
| 14 | 900-1099-3 | Krabat logo, carved black (22 x 90 mm) | 1 |
| 15 | DIN EN ISO 7040 - M8 - N | | 1 |
| 16 | DIN EN ISO 7040 - M10 - N | | 4 |
| 17 | DIN 912 M6 x 16 --- 16N | | 4 |
| 18 | DIN 912 M10 x 70 --- 32N | | 1 |
| 19 | DIN 912 M10 x 50 --- 32N | | 1 |
| 20 | DIN 912 M10 x 60 --- 32N | | 2 |
| 21 | DIN 912 M10 x 140 --- 32N | | 1 |
| 22 | Washer DIN 125 - A 8.4 | | 2 |
| 23 | Washer DIN 125 - A 10.5 | | 6 |
| 24 | Washer DIN 9021 - 10.5 | | 2 |

| | | | | | |
|--|-----------|--|-----------------------------|----------------------|--|
| UNLESS OTHERWISE SPECIFIED: ALL DIMENSIONS ARE IN MILLIMETERS | | TOLERANCES LINEAR/ ANGULAR: NS-ISO 2768-1-m-K | DEBUR AND BREAK SHARP EDGES | PAPER SIZE: A3 | <h2 style="text-align: center;">Krabat Jockey</h2> <p style="text-align: center;">Krabat Jockey Pro, undercarriage, manual</p> |
| | | MATERIAL: | TREATMENT: | TITLE: | |
| NAME | SIGNATURE | DATE | FINISH: | WEIGHT: | DWG NO. 310-1208 |
| DRAWN: MLJH | | 17.01.2023 | | | REVISION |
| CHK'D: | | | | | |
| APP'VD: | | | | | |
| SHEET 1 OF 1 | | SCALE: 1:10 | | DO NOT SCALE DRAWING | |

MANUELL

| REV. | DESCRIPTION | DATE | APPROVED |
|------|--|------------|----------|
| 00 | Established | 19.10.2022 | |
| 01 | Revised, made nr 2 thinner, shortened nr 1, changed screws | 16.12.2022 | |



NB: SAMME MONTERING FOR VENSTRE HJUL (310-1146)

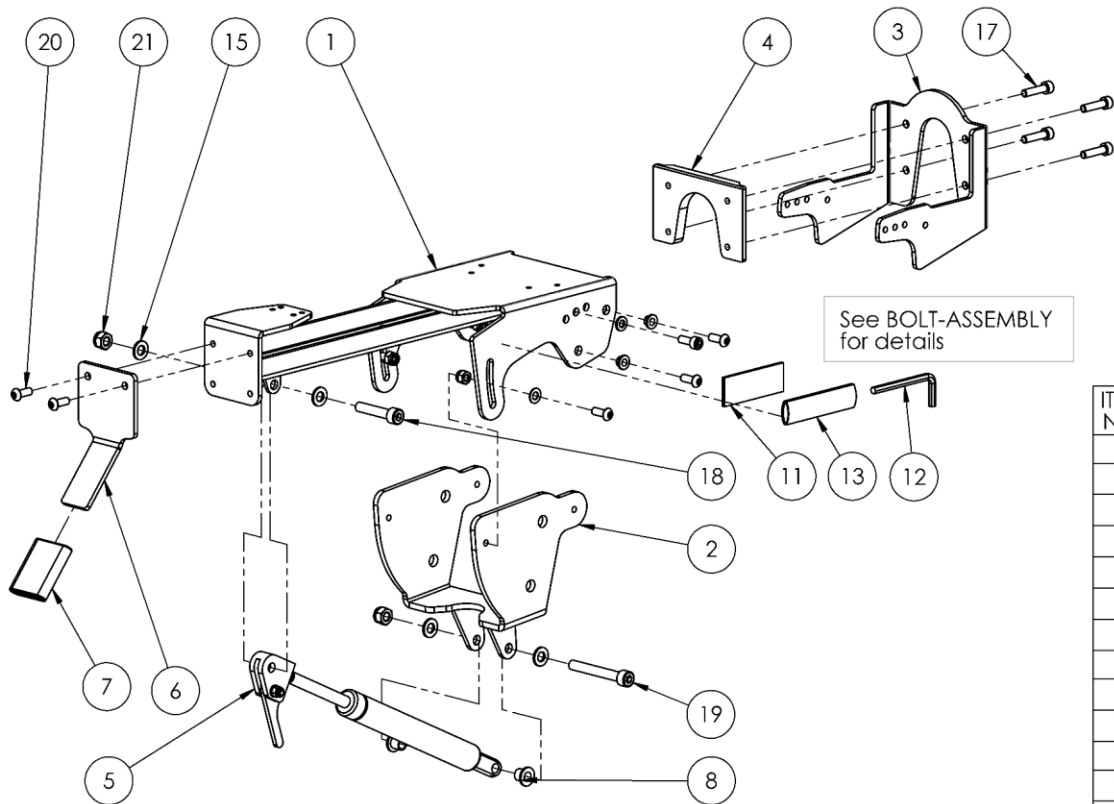


*: Included in Item 3 (900-1351)

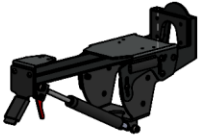
| ITEM NO. | PART NUMBER | Title | QTY. |
|----------|-----------------------------|---------------------------------|------|
| 1 | 310-0050 | Fixed rear wheel, bracket | 1 |
| 2 | 310-0051 | Fixed rear wheel, brake support | 1 |
| 3 | 900-1351 | Landgraff code: 433-2032 | 1 |
| 4 | 700-0022 | Rear wheel spacer, right | 1 |
| 5 | DIN 912 M6 x 20 --- 20N | | 2 |
| 6 | DIN 7991 - M10 x 30 --- 30N | | 1 |
| 7 | ISO 7380 - M6 x 16 - 16N | | 1 |
| 8 | ISO 7380 - M12 x 75 - 75N | | 1 |
| 9 | ISO 7040-M6-N | | 1 |

| | | | | | | |
|--|-----------|--|-----------------------------|-------------------|----------------------|----------------------|
| UNLESS OTHERWISE SPECIFIED: ALL DIMENSIONS ARE IN MILLIMETERS | | TOLERANCES LINEAR/ ANGULAR: NS-ISO 2768-1-m-K | DEBUR AND BREAK SHARP EDGES | PAPER SIZE: A3 | Krabat Jockey | |
| | | | | MATERIAL: | | |
| NAME | SIGNATURE | DATE | FINISH: | DWG. NO. | REVISION | |
| DRAWN: MLJ:H | | 19.10.22 | | 310-1112 | 01 | |
| CHK'D: | | | WEIGHT: | SHEET 1 OF 1 | SCALE:1:5 | DO NOT SCALE DRAWING |

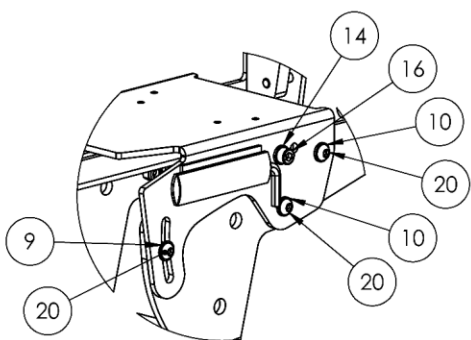
MANUELL



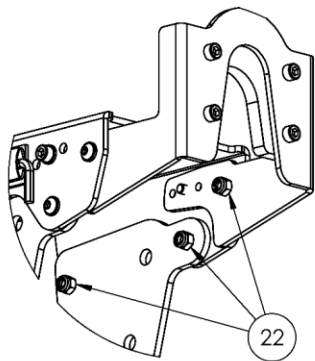
| REV. | DESCRIPTION | DATE | APPROVED |
|------|--|------------|----------|
| 00 | Established | 26.04.2023 | |
| 01 | Items 1, -2, -3 and -4 revised, Items 11, -12, -13 and -19 added. Detail added. Item order re-arranged | 30.10.2023 | |



| ITEM NO. | PART NUMBER | Title | QTY. |
|----------|--------------------------|---------------------------------------|------|
| 1 | 310-1120 | Seat frame, main frame, size 2 | 1 |
| 2 | 310-1132 | Seat lift frame bracket, assy | 1 |
| 3 | 310-0073 | Backrest, adjuster bracket | 1 |
| 4 | 310-0074 | Backrest height adjuster bracket | 1 |
| 5 | 310-1172 | Gas spring assy, size 2 | 1 |
| 6 | 310-0122 | Gas spring handle | 1 |
| 7 | 900-1521 | Gas spring handle, flexible foam grip | 1 |
| 8 | 900-1484 | Sleeve Ø8,1-10-16-8/1,5 | 2 |
| 9 | 900-1116 | Torp code: 213 065x127x08 | 2 |
| 10 | 900-1255 | Torp code: 214 12SWS 0940 | 4 |
| 11 | 900-1125 | Velcro 25 x 70 | 1 |
| 12 | 900-1536 | Allen key 5mm DIN 911 | 1 |
| 13 | 900-1124 | Allen key holder | 1 |
| 14 | Washer DIN 125 - A 6.4 | | 2 |
| 15 | Washer DIN 125 - A 8.4 | | 4 |
| 16 | DIN 912 M6 x 16 --- 16N | | 2 |
| 17 | DIN 912 M6 x 25 --- 25N | | 4 |
| 18 | DIN 912 M8 x 40 --- 28N | | 1 |
| 19 | DIN 912 M8 x 60 --- 28N | | 1 |
| 20 | ISO 7380 - M6 x 16 - 16N | | 8 |
| 21 | DIN EN ISO 7040 - M8 - N | | 2 |
| 22 | DIN EN ISO 7040 - M6 - N | | 6 |



BOLT-ASSEMBLY



DETAIL

All ISO 7380 M6x16 to be secured by ISO 7040 M6 nut as shown above

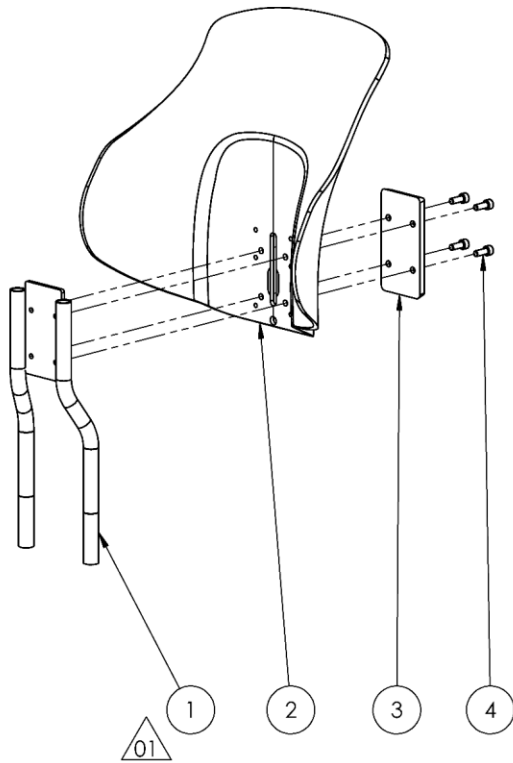
| | | | | | |
|-----------------------------------|--|-----------------------------|----|--------------------------------|--|
| UNLESS OTHERWISE SPECIFIED: | | PAPER SIZE: | | Krabat Jockey | |
| ALL DIMENSIONS ARE IN MILLIMETERS | TOLERANCES LINEAR/ ANGULAR: NS-ISO 2768-1-m-K | DEBUR AND BREAK SHARP EDGES | A3 | | |
| DRAWN: MLJ/H | | MATERIAL: | | TITLE: Pro Seat frame, long | |
| CHK'D: | | TREATMENT: | | DWG. NO. 310-1116 | |
| APPR'D: | | WEIGHT: | | REVISION C | |
| DATE: 30.12.2022 | | FINISH: | | SHEET 1 OF 1 | |
| | | | | SCALE:1:5 DO NOT SCALE DRAWING | |

MANUELL

| REV. | DESCRIPTION | DATE | APPROVED |
|------|----------------|------------|----------|
| 00 | Established | 21.04.2023 | |
| 01 | Item 1 revised | 02.11.2023 | |

NB: SAMME MONTERING FOR:

- **310-1148**
- **310-1150**
- **310-1151**



| ITEM NO. | PART NUMBER | Title | QTY. |
|----------|-------------------------|-------------------------|------|
| 1 | 310-1122 | Backrest frame, assy | 1 |
| 2 | 900-1130 | Back rest, high, size 2 | 1 |
| 3 | 310-0076 | Backrest, decor plate | 1 |
| 4 | DIN 912 M6 x 16 --- 16N | | 4 |

| | | | | | |
|-----------------------------------|--|-----------------------------|----------------------------------|--------------------------------|----|
| UNLESS OTHERWISE SPECIFIED: | | PAPER SIZE: | | Krabat Jockey | |
| ALL DIMENSIONS ARE IN MILLIMETERS | TOLERANCES LINEAR/ ANGULAR: NS-ISO 2768-1-m-K | DEBUR AND BREAK SHARP EDGES | A3 | | |
| | | MATERIAL: | TITLE: Pro Backrest, size 2 high | | |
| TREATMENT: | | DWG. NO. | | REVISION | |
| NAME | SIGNATURE | DATE | 310-1149 | | 01 |
| DRAWN: ALJH | | 27.12.2022 | | | |
| CHK'D: | | | | | |
| APP'VD: | | | | | |
| WEIGHT: | | SHEET 1 OF 1 | | SCALE:1:5 DO NOT SCALE DRAWING | |

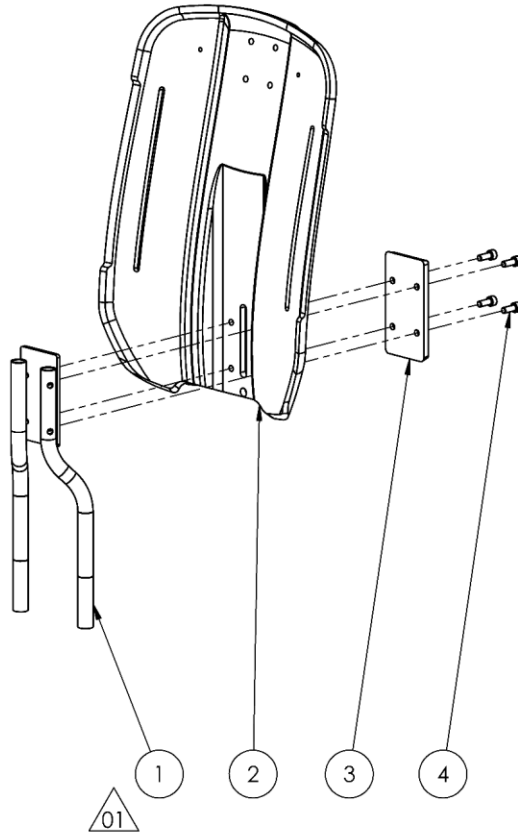
MANUELL

| REV. | DESCRIPTION | DATE | APPROVED |
|------|----------------|------------|----------|
| 00 | Established | 21.04.2023 | |
| 01 | Item 1 revised | 02.11.2023 | |

PLUS RYGG

NB: SAMME MONTERING FOR:

- 310-1152



| ITEM NO. | PART NUMBER | Title | QTY. |
|----------|-------------------------|---------------------------|------|
| 1 | 310-1121 | Backrest frame assy, Plus | 1 |
| 2 | 900-1239 | Back Rest Plus size 2 | 1 |
| 3 | 310-0076 | Backrest, decor plate | 1 |
| 4 | DIN 912 M6 x 16 --- 16N | | 4 |

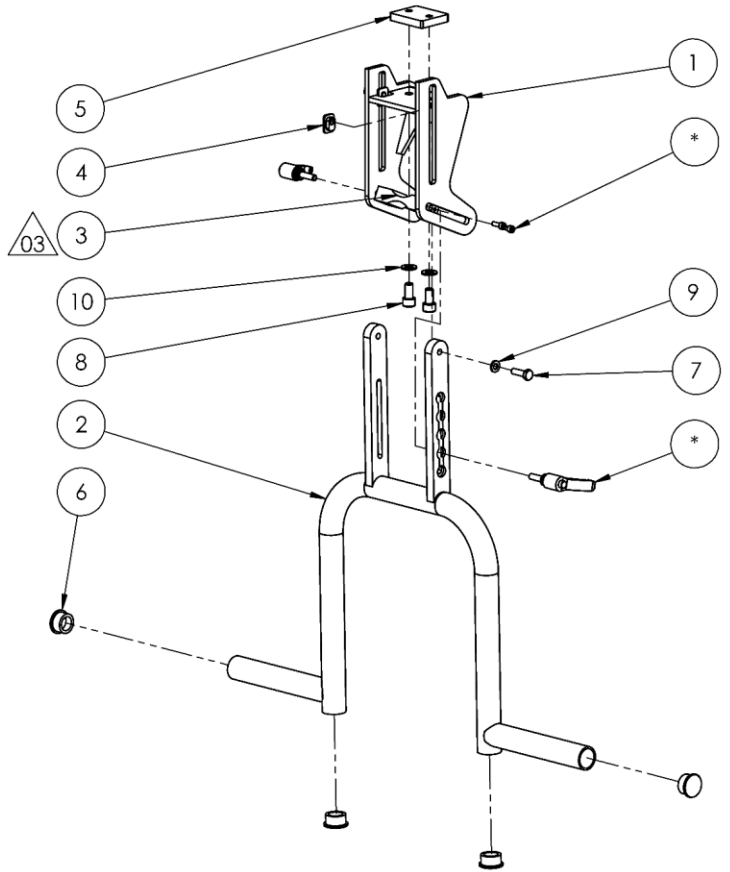
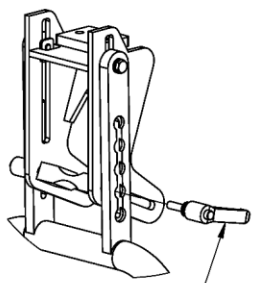
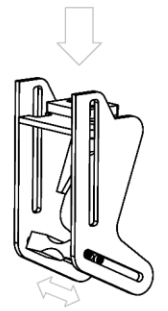
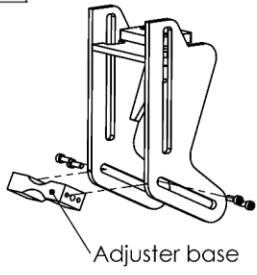
| | | | | | |
|-----------------------------------|--|-----------------------------|---|---------------|----|
| UNLESS OTHERWISE SPECIFIED: | | PAPER SIZE: | | Krabat Jockey | |
| ALL DIMENSIONS ARE IN MILLIMETERS | TOLERANCES LINEAR/ ANGULAR: NS-ISO 2768-1-m-K | DEBUR AND BREAK SHARP EDGES | A3 | | |
| | | MATERIAL: | TITLE: Pro Backrest, size 2 plus | | |
| TREATMENT: | | DWG NO. | | REVISION | |
| DRAWN: MLJH | SIGNATURE: | DATE: 30.12.2022 | 310-1153 | | 01 |
| CHK'D: | | FINISH: | SHEET 1 OF 1 SCALE:1:5 DO NOT SCALE DRAWING | | |
| APP'VD: | | WEIGHT: | | | |

MANUELL

Assembly of Item 3: 310-1175 - "Foot rest adjuster - Pro"

- remove four screws M5x16 and the two handles
- place the adjuster base in the adjustment bracket
- Insert all four M5x16 screws through the slot from both sides

02



03

**NB: SAMME
MONTERING FOR:
Sjekke med yvonne.**



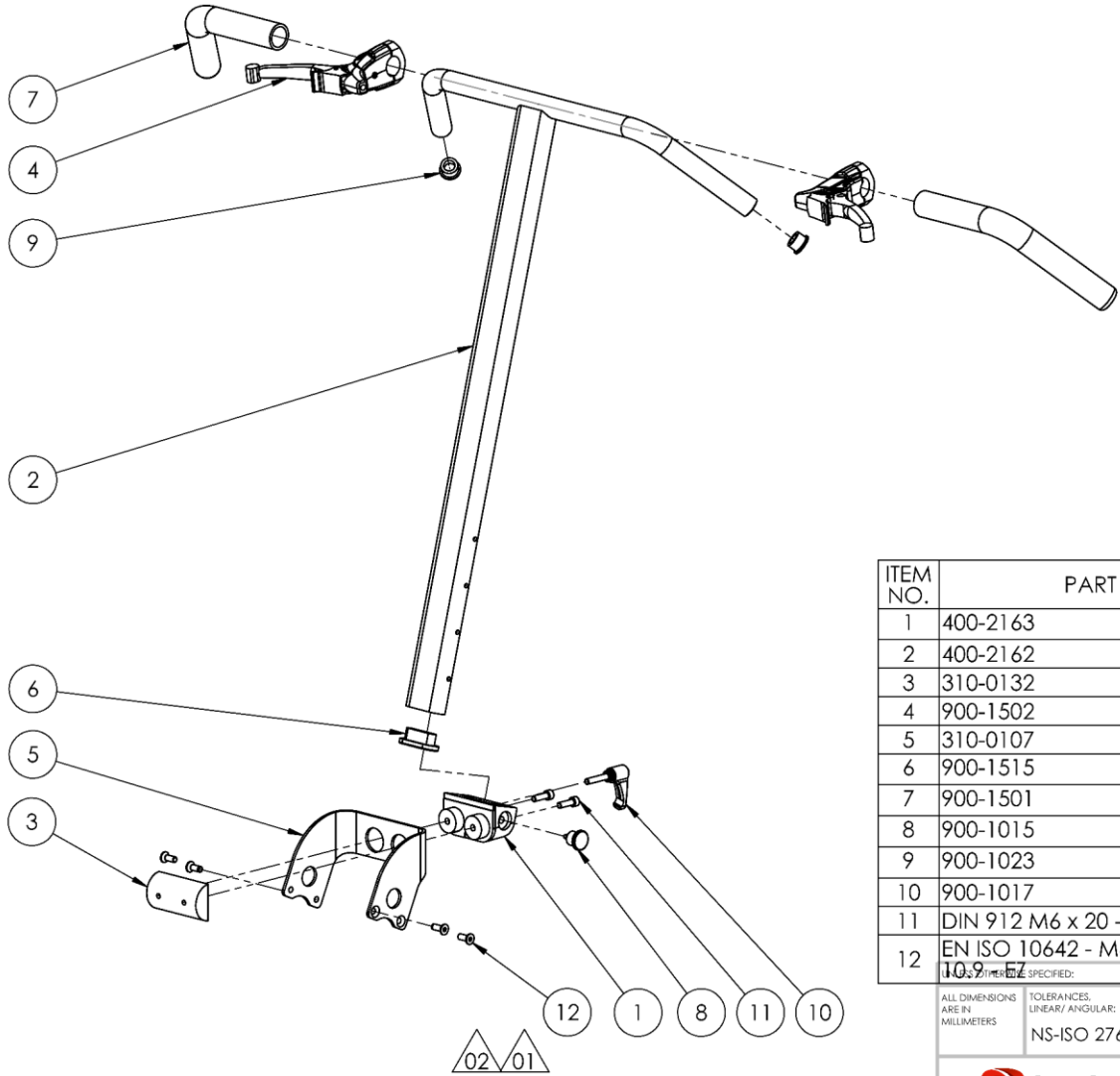
Note: Items marked with * are included in 310-1175

| ITEM NO. | PART NUMBER | Title | QTY. |
|----------|-------------------------|----------------------------------|------|
| 1 | 310-1161 | Upper adjustment bracket | 1 |
| 2 | 310-1164 | Footrest Pro, lower assy, size 2 | 1 |
| 3 | 310-1175 | Foot rest adjuster - Pro | 1 |
| 4 | 310-0127 | Slide nut | 2 |
| 5 | 310-0049 | Footrest, fastening plate | 1 |
| 6 | 900-1022 | Torp code: 208-GL 25S | 4 |
| 7 | ISO 4017 - M6 x 20-N | | 2 |
| 8 | DIN 912 M8 x 16 --- 16N | | 2 |
| 9 | Washer DIN 125 - A 6.4 | | 2 |
| 10 | Washer DIN 125 - A 8.4 | | 2 |

| | | | | | |
|-----------------------------------|---|-----------------------------|--------------|------------------------------|----------------------|
| UNLESS OTHERWISE SPECIFIED: | | PAPER SIZE: | | Krabat Jockey | |
| ALL DIMENSIONS ARE IN MILLIMETERS | TOLERANCES LINEAR/ ANGULAR: NS-ISO 2768-1-m-K | DEBUR AND BREAK SHARP EDGES | A3 | | |
| | | MATERIAL: | N/A | TITLE: Fot support sz 2 assy | |
| DRAWN: U.S. | | TREATMENT: | N/A | DWG NO. | 310-1168 |
| CHK'D: | DATE: 29.06.23 | FINISH: | N/A | REVISION | 03 |
| APP'VD: | | WEIGHT: 1810g | SHEET 1 OF 1 | SCALE:1:5 | DO NOT SCALE DRAWING |

MANUELL

| REV. | DESCRIPTION | DATE | APPROVED |
|------|--|------------|----------|
| 00 | Established | 21.04.2023 | |
| 01 | Item 12 (bolt M6x16) added | 31.10.2023 | |
| 02 | Item 5 revised. Item 12 changed from ISO 7380 to ISO 10642 | 21.11.2023 | |



| ITEM NO. | PART NUMBER | Title | QTY. |
|----------|---|---|------|
| 1 | 400-2163 | Pushbar clamp | 1 |
| 2 | 400-2162 | Push bar | 1 |
| 3 | 310-0132 | Push bar threaded bracket | 1 |
| 4 | 900-1502 | Pro, Brake Handle | 2 |
| 5 | 310-0107 | Push bar bracket | 1 |
| 6 | 900-1515 | Pushbar, Endplug | 1 |
| 7 | 900-1501 | Pushbar, Flexible foam grip, l=260mm | 2 |
| 8 | 900-1015 | Indexing plunger - Elesa code: GN-36401 | 1 |
| 9 | 900-1023 | Torp code: 208-GL 22S | 2 |
| 10 | 900-1017 | Elesa code 234136-C3 | 1 |
| 11 | DIN 912 M6 x 20 --- 20N - St - 10.9 - EZ | | 2 |
| 12 | EN ISO 10642 - M6 x 16 - 16N - St - 10.9 - EZ | | 4 |

| | | | | | | |
|-----------------------------------|--|---|-----------------------------|----------------------|----------------------|-------------|
| ALL DIMENSIONS ARE IN MILLIMETERS | | TOLERANCES LINEAR/ ANGULAR: NS-ISO 2768-1-m-K | DEBUR AND BREAK SHARP EDGES | PAPER SIZE: A3 | Krabat Jockey | |
| DRAWN: M.U.H. | | SIGNATURE: | DATE: 12.04.2023 | FINISH: | | |
| CHK'D: | | APPV'D: | | WEIGHT: | DWG NO. 310-1170 | REVISION 02 |
| SHEET 1 OF 1 | | SCALE:1:10 | | DO NOT SCALE DRAWING | | |

MANUELL